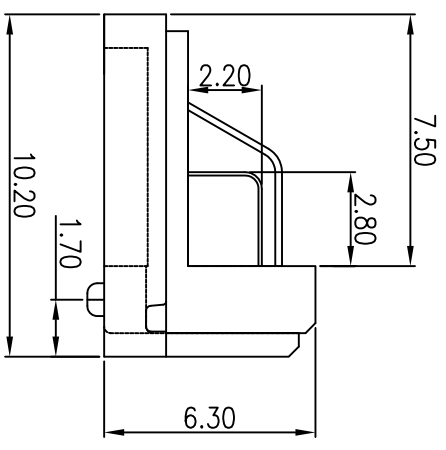
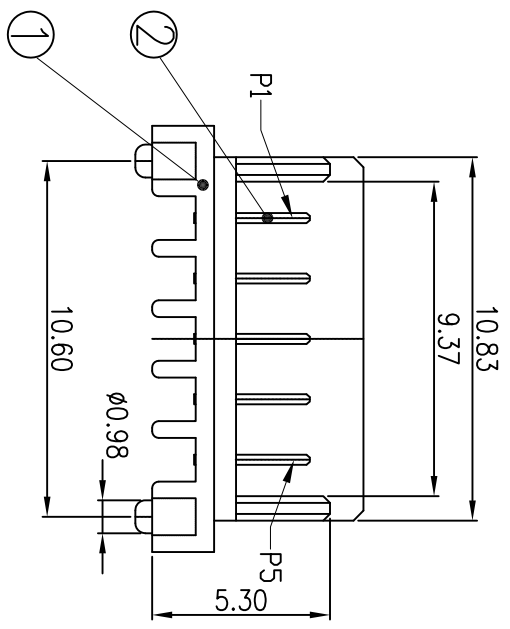
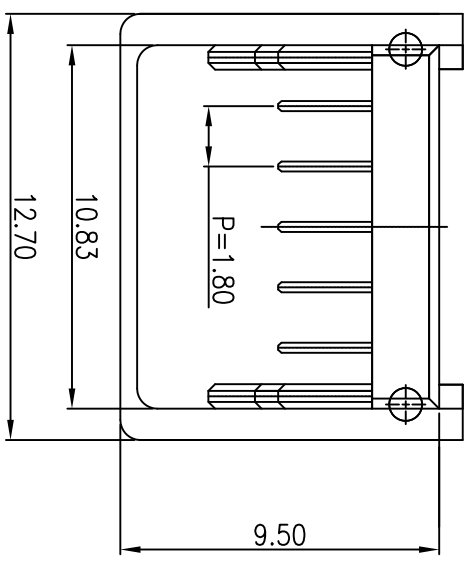


RDHS compliant



Ordering Information:

BA05B-03 X X X - X - X X  
 Housing Material: A=LCP  
 Housing Color: K:BLACK  
 Packing: HF:No Halogen, RS:RDHS  
 PLATING TYPE: B=GOLD/TIN  
 PLATING THICKNESS: 9.4U", 4.10U", 5.15U"

REV	DESCRIPTION	ECN NO.	DATE
AA	原始图档		14.05.23

NO.	NAME	MATERIAL	Q'TY	NOTE
2	CONTACT	BRASS	5	SELECTIVE GOLD PLATING ON CONTACT AREA; 50 μ" NICKEL UNDERPLATING OVER ALL;
1	HOUSING	LCP	1	UL94V-0

GENERAL TOLERANCES (UNLESS SPECIFIED)		SCALE:	NUMBER:
MM		1:1	
X	±0.38	DESIGN BY	DATE
.XX	±0.25	胡汉平	2014.05.23
.XXX	±0.13	DRAWN BY	DATE
		李玉刚	2014.05.23
		CHECKED BY	DATE
		APPROVED BY	DATE

PART NO. BA05B-03AKX-X-XX		REVISE ON CAD ONLY	
THIRD ANGLE PROJECTION		DWG NO. BA-003-0	
NAME: 深圳市瀚云通科技有限公司 SHENZHEN HANYUN TONG TECHNOLOGY LIMITED		SHEET NO. 1/1	
BATTERY CONNECTOR PLUG 5P DIP TYPE		A4	

1 2 3 4 5 6 7 8

F E D C B A

F E D C B A