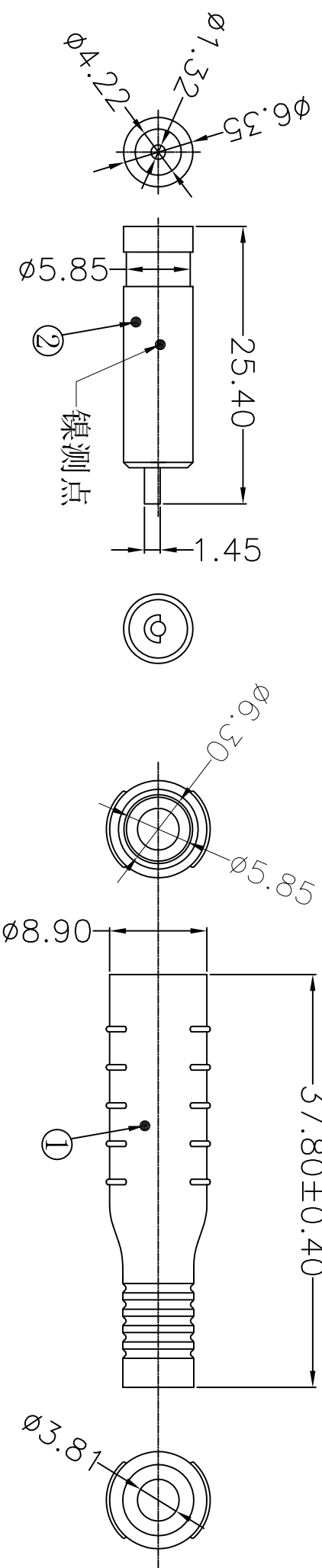


ROHS compliant

REV	DESCRIPTION	ECN NO.	DATE
△0	原始图档		2016.10.31



Ordering Information:

OT00E-836 W E D U - P - HF  
 Housing Maternal:  W: TPE  
 Housing Color:  E: Red  
 PLATING TYPE:  D: Ni  
 PLATING THICKNESS:  U: 200u"  
 Packing:  P: PE Bag  
 HF: No Halogen

NO.	NAME	MATERIAL	QTY	STANDARD	NOTE
2	CONTACT	BRASS	1	200u" MIN. NICKEL PLATING OVER ALL. Salt spray 72Hr	
1	HOUSING	TPE	1	UL94V-2	RED

GENERAL TOLERANCES (UNLESS SPECIFIED)		SCALE:	NUMBER:
MM		1:1	
X	±0.38	DESIGN BY	张健
XXX	±0.13	DRAWN BY	张健
XXXX	±0.08	CHECKED BY	张健
ANGULAR ±3°		DATE	2016.10.31
DRAFT WHERE APPLICABLE MUST REMAIN WITHIN DIMENSIONS		APPROVED BY	张健

NAME: 香蕉头连接器		THIRD ANGLE: <input checked="" type="checkbox"/> THIRD ANGLE PROJECTION	REVISE ON CAD ONLY
PART NO. OT00E-836WEDU-P-HF	DWG NO. OT-836	SHEET NO. 1/1	

深圳市瀚云通科技有限公司  
 SHENZHEN HANYUNTONG TECHNOLOGY LIMITED

THIS DRAWING CONTAINS INFORMATION THAT IS PROPRIETARY TO HANYUN INCORPORATED AND SHOULD NOT BE USED WITHOUT WRITTEN PERMISSION