

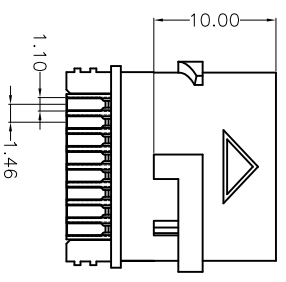
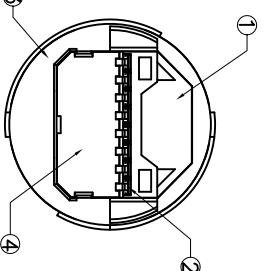
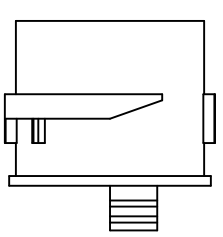
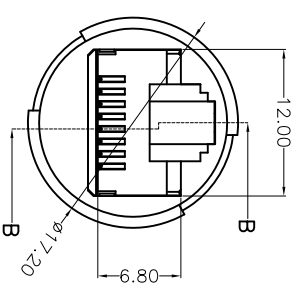
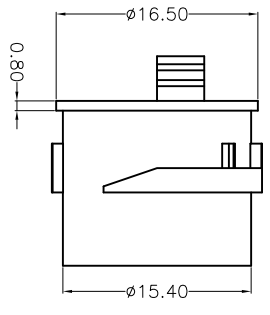
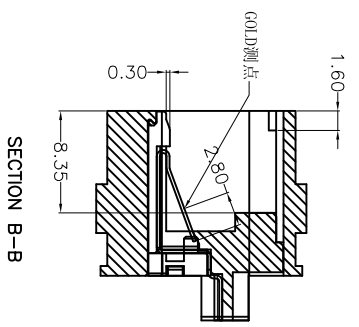
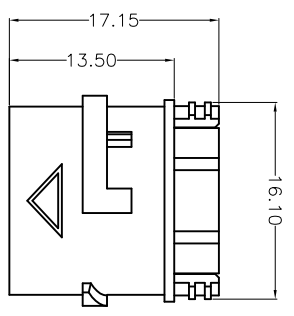
ROHS compliant

REV	DESCRIPTION	ECN NO.	DATE
△0	原始图档		2016.08.03

Ordering Information:

RJ08E-012 A K X X - X - XX

- Housing Material:  K: BLACK
- Housing Color:  RS: ROHS
- PLATING TYPE:  HF: No Halogen
- B: GOLD/TIN
- Packing:  P: PE BAG
- PLATING THICKNESS:  5: 15 μm
- 6: 30 μm
- 7: Gold Flash



主体

4	STOPPER	LCP+30%G/F	1	UL94V-0	BLACK
3	SHELL	PBT+30%G/F	1	UL94V-0	BLACK
2	CONTACT	PHOSPHOR BRONZE	8	Underplate:Min. Ni50u", Mating area: Au SELECTIVE Solder Talls:Min. 100u" tin	CS210
1	HOUSING	LCP+30%G/F	1	UL94V-0	BLACK
NO.	NAME	MATERIAL	Q'TY	STANDARD	NOTE

GENERAL TOLERANCES (UNLESS SPECIFIED)

SCALE:	NUMBER:
1:1	
MM	
X	±0.38
.XX	±0.25
.XXX	±0.13
ANGULAR ±3°	

DRAWN BY DATE: 2016.08.03  
 CHECKED BY DATE: 2016.08.03  
 PART WHERE APPLICABLE MUST REMAIN WITHIN DIMENSIONS

SCALE: 1:1

DESIGN BY DATE: 2016.08.03

NAME: R145防水套件 (5件套)

SHENZHEN HANYUN TONG TECHNOLOGY LIMITED

THIRD ANGLE PROJECTION

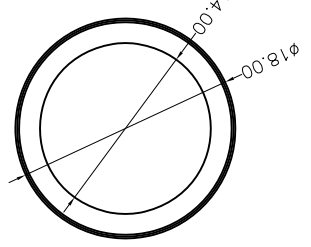
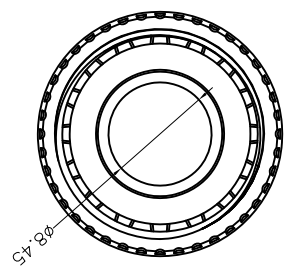
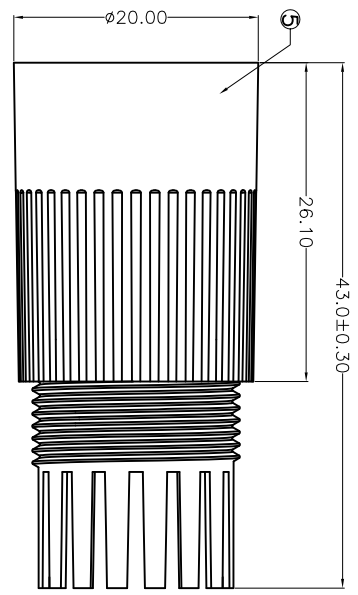
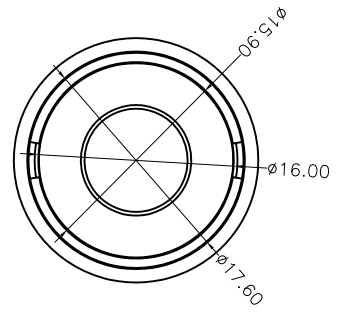
REVERSE ON CAD ONLY

A B C D E F

1 2 3 4 5 6 7 8

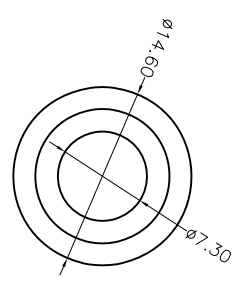
F E D C B A

ROHS compliant

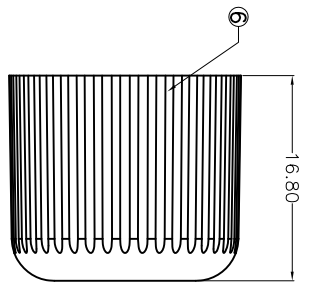
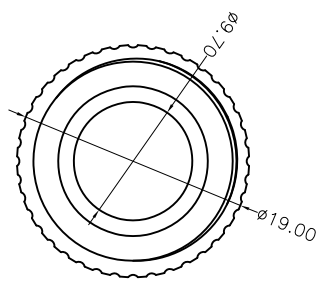


RJ45防水保护套

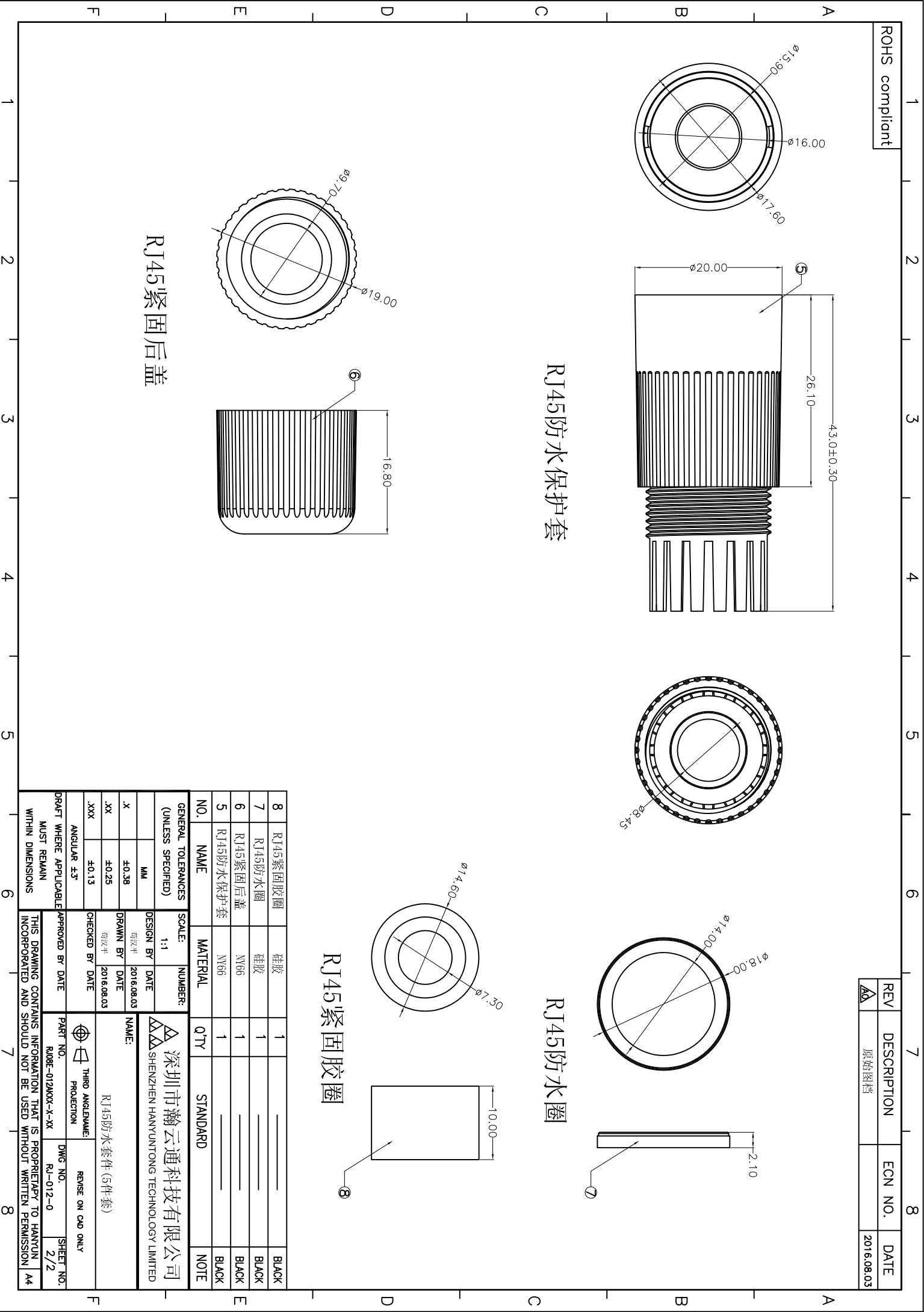
RJ45防水圈



RJ45紧固胶圈



RJ45紧固后盖



REV	DESCRIPTION	ECN NO.	DATE
△0	原始图档		2016.08.03

NO.	NAME	MATERIAL	Q'ty	STANDARD	NOTE
8	RJ45紧固胶圈	硅胶	1		BLACK
7	RJ45防水圈	硅胶	1		BLACK
6	RJ45紧固后盖	NY66	1		BLACK
5	RJ45防水保护套	NY66	1		BLACK

GENERAL TOLERANCES (UNLESS SPECIFIED)		SCALE:	NUMBER:
MM		1:1	
X	±0.38	DESIGN BY	DATE
XX	±0.25	DRAWN BY	DATE
XXX	±0.13	CHECKED BY	DATE
ANGULAR ±3°		APPROVED BY	DATE

DRAFT WHERE APPLICABLE MUST REMAIN WITHIN DIMENSIONS		PART NO. RJ08E-012AKX-X-XX		THIRD ANGLE PROJECTION		DWG NO. RJ-012-0		SHEET NO. 2/2	
		REVISE ON QAO ONLY							

NAME: RJ45防水套件 (5件套)

SHENZHEN HANYUN TONG TECHNOLOGY LIMITED

深圳市瀚云通科技有限公司

THIS DRAWING CONTAINS INFORMATION THAT IS PROPRIETARY TO HANYUN INCORPORATED AND SHOULD NOT BE USED WITHOUT WRITTEN PERMISSION