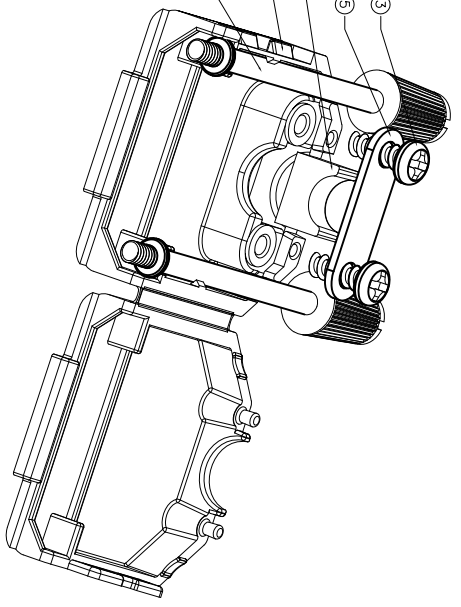
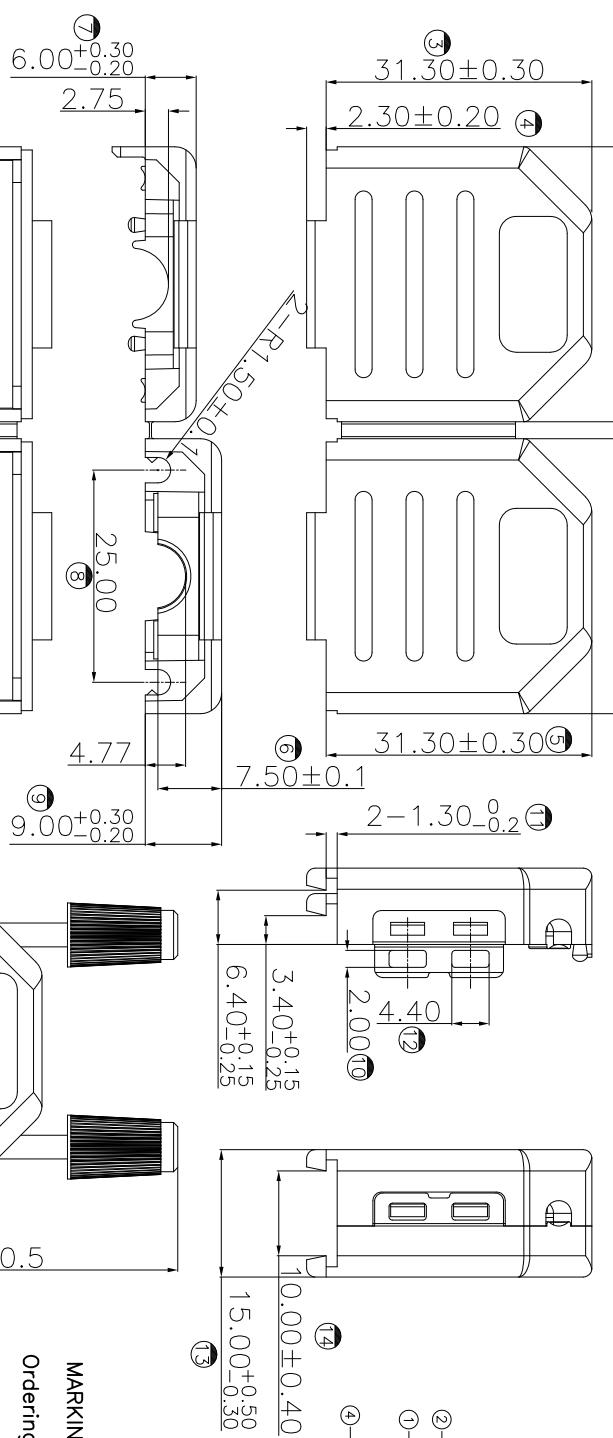


ROHS compliant

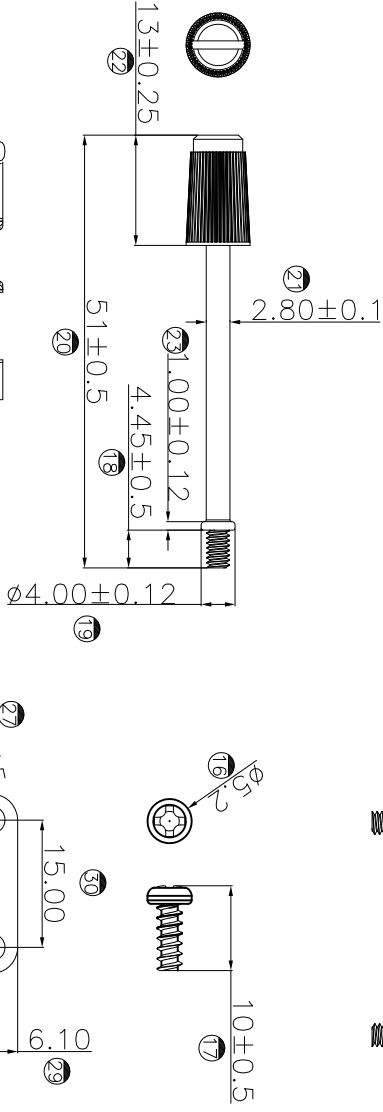
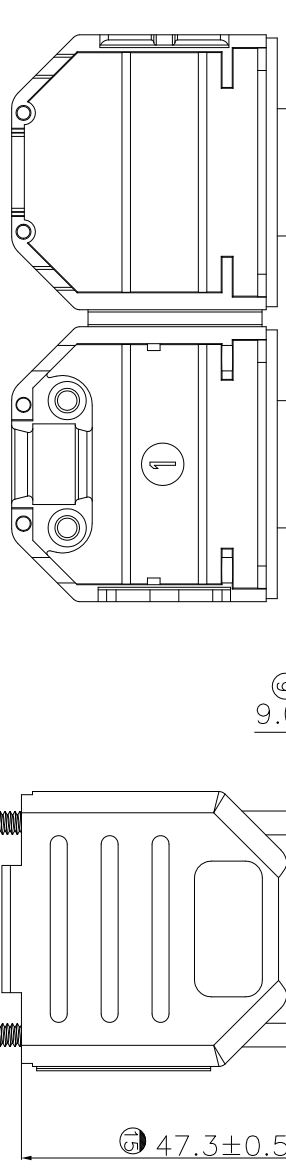
REV	DESCRIPTION	ECN NO.	DATE
Δ0	原始图档		2016.10.31



MARKING ◯ DIMENSION MUST BE CONTROL BY QC

Ordering Information:

DS09E-837 J K D 6 - T - HF  
 Housing Material: J  
 Housing Color: K: BLACK  
 ...  
 PLATING TYPE: D: Ni  
 Packing: T: Tray  
 ...  
 HF: No Halogen  
 RS: ROHS



NO.	NAME	MATERIAL	Q'TY	STANDARD	NOTE
5	Line pressing piece	SPCC	1	50U"Nickel plating	
4	SCREW	SPCC	2	50U"Nickel plating	4-40UNC
3	SCREWS	SPCC	2	30U"Nickel plating	M3
2	Wire clip	PA66	1	UL94V-0	BLACK
1	SHELL	PA66	1	UL94V-0	BLACK

GENERAL TOLERANCES (UNLESS SPECIFIED) SCALE: 1:1 NUMBER:

DESIGN BY: 李玉刚 DATE: 2016.10.31  
 DRAWN BY: 李玉刚 DATE: 2016.10.31  
 CHECKED BY: 李玉刚 DATE: 2016.10.31  
 APPROVED BY: DATE: 2016.10.31

ANGULAR ±3°  
 PART WHERE APPLICABLE MUST REMAIN WITHIN DIMENSIONS

THIRD ANGLE PROJECTION  
 D-SUB 9P母头外壳 (5件套)  
 PART NO.: DS09E-837AK06-T-HF  
 DWG NO.: DS-837-0  
 SHEET NO.: 1/1

深圳市瀚云通科技有限公司  
 SHENZHEN HANYUNTONG TECHNOLOGY LIMITED

THIS DRAWING CONTAINS INFORMATION THAT IS PROPRIETARY TO HANYUN INCORPORATED AND SHOULD NOT BE USED WITHOUT WRITTEN PERMISSION