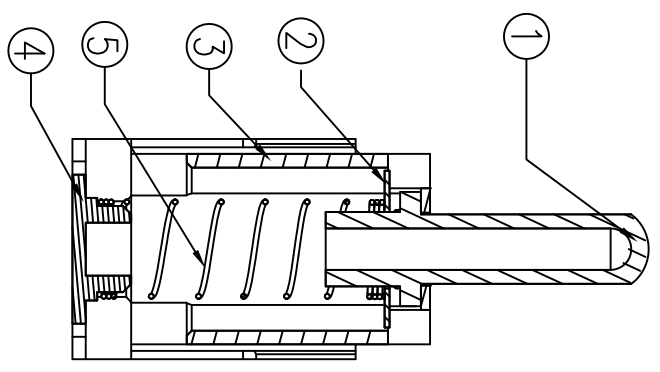
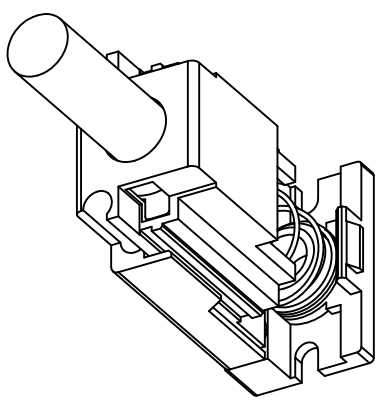
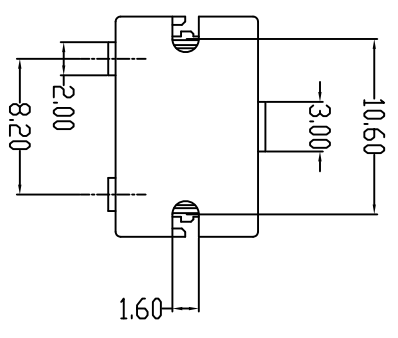
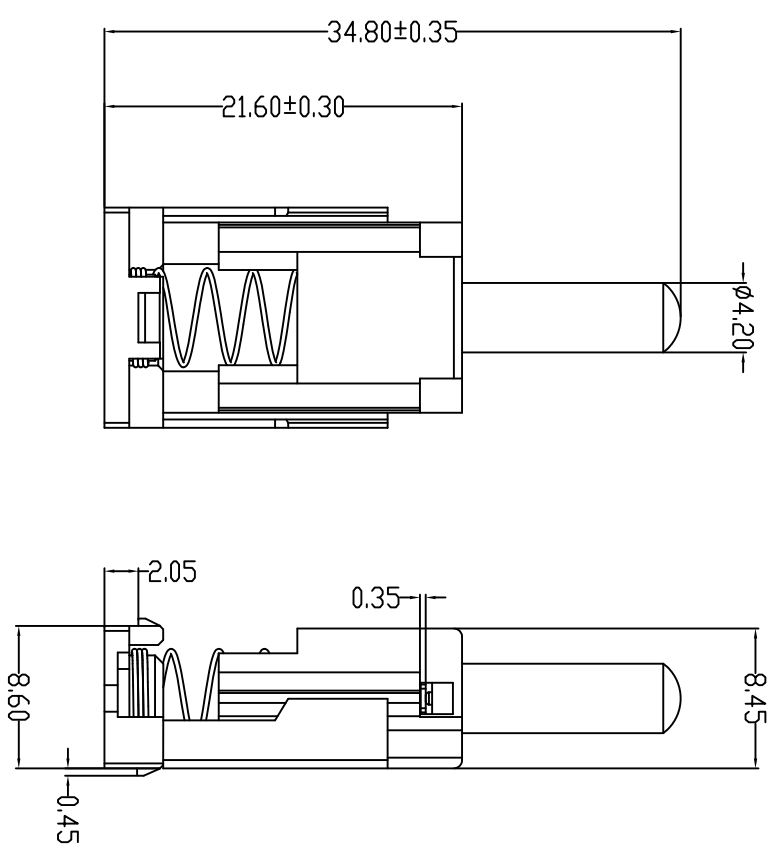


ROHS compliant



Ordering Information:
 SW02E-13 J K A A - T - XX - X
 Housing Material: J=PA66
 Housing Color: K:BLACK
 PLATING TYPE: A:GOLD
 PLATING THICKNESS: A:3µ
 Packing: T:Tray
 HF:HALOGEN-FREE(无卤)
 RS: 普通ROHS
 B:160gf
 C:180gf

| REV | DESCRIPTION | ECN NO. | DATE |
|-----|-------------|---------|------------|
| AA | 原始图档 | | 2014.12.30 |

| NO. | NAME | MATERIAL | STANDARD | Plated | Q'TY | NOTE |
|-----|-----------|-------------------------|-----------|--------|------|--------|
| 5 | Spring | Steel | / | | 1 | / |
| 4 | Housing-2 | PA66+30%G/F(HF OR ROHS) | UL 94 V-0 | | 1 | Black |
| 3 | Housing-1 | PA66+30%G/F(HF OR ROHS) | UL 94 V-0 | | 1 | Black |
| 2 | Movable | Brass | Au 3µ" | | 1 | T=0.30 |
| 1 | Keystoke | PA66+30%G/F(HF OR ROHS) | UL 94 V-0 | | 1 | Black |

| GENERAL TOLERANCES (UNLESS SPECIFIED) | | SCALE: | NUMBER: |
|--|-------|------------------------|---------------------|
| | MM | 1:1 | |
| X | ±0.50 | DESIGN BY | 李玉圃 |
| X | ±0.38 | DATE | 2014.12.30 |
| .XX | ±0.25 | DRAWN BY | 李玉圃 |
| .XXX | ±0.13 | CHECKED BY DATE | 2014.12.30 |
| ANGULAR ±3° | | APPROVED BY DATE | |
| DRAFT WHERE APPLICABLE MUST REMAIN WITHIN DIMENSIONS | | PART NO. | SW02E-13,KAA-T-XX-X |
| | | THIRD ANGLE PROJECTION | |
| | | DWG NO. | SW-03-0 |
| | | REVISE ON CAD ONLY | |
| | | SHEET NO. | 1/1 |
| | | | A4 |

深圳市瀚云通科技有限公司
 SHENZHEN HANYUNTING TECHNOLOGY LIMITED

RG1524带闭开关本体

THIS DRAWING CONTAINS INFORMATION THAT IS PROPRIETARY TO CYBERAPEX INCORPORATED AND SHOULD NOT BE USED WITHOUT WRITTEN PERMISSION