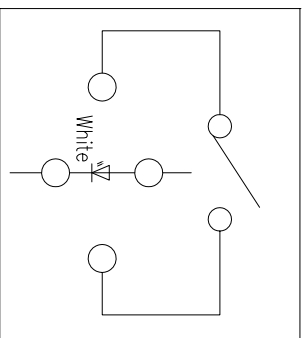
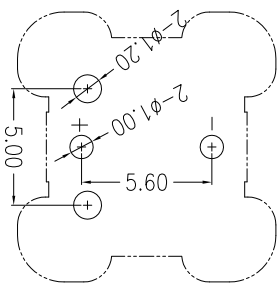
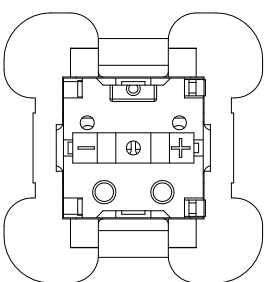
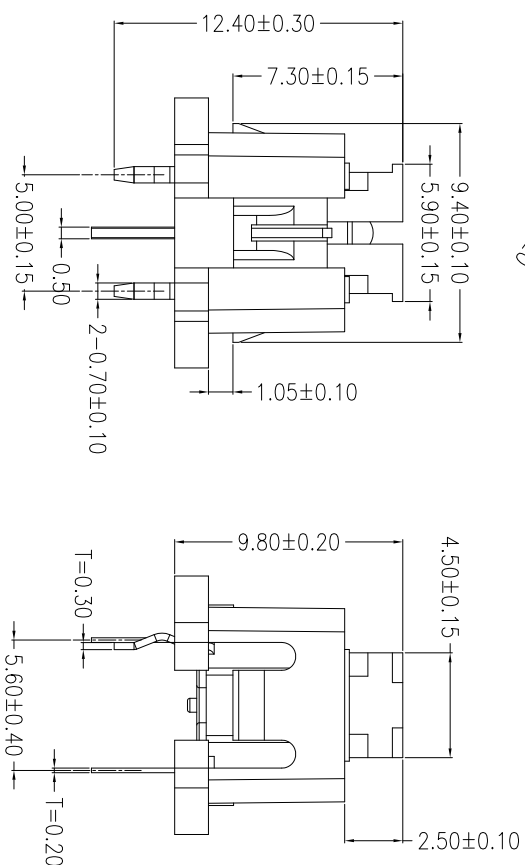
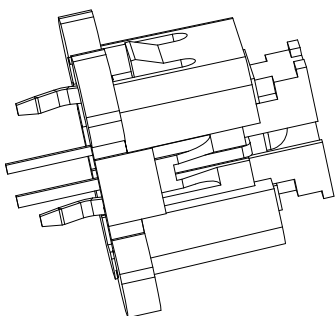
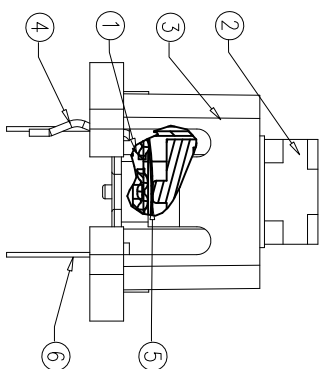
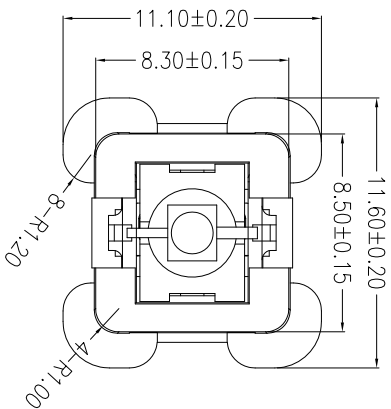


ROHS compliant



PCB TOLERANCE: ±0.05mm

Circuit Diagram

REV	DESCRIPTION	ECN NO.	DATE
Δ0	原始图档		2016.09.28
Δ1	依客户要求变更尺寸		2016.11.04

SWITCH SPECIFICATION:

1. Rating SWITCH: DC 12V 50mA  
Rating LED: DC 2.8~3.6V 20mA
2. Contact Resistance(接触电阻): 30mΩ Max.
3. Insulation Resistance(绝缘电阻): 100MΩ Min.
4. Dielectric Strength(绝缘强度): AC 250V(50~60Hz) for 1 minute
5. Operation Force (按压力): 150±50gf
6. LIFE TEST (寿命测试): 100,000 CYCLES
7. TOTAL(行程): 0.25±0.1mm

Ordering Information:

SWO2A-819 X X X X - X - XX - X - XX  
 Housing Material: M=PC  
 Housing Color: G:GRAY  
 ...  
 PLATING TYPE: K:SILVER  
 ...  
 PLATING THICKNESS: B:12μ"  
 ...  
 Packing: T:Tray  
 ...  
 A:150gf W=White  
 HF:No Halogen  
 RS:ROHS

6	LED	/	Ø1.8MM SUPER White LED	1	/	
5	CONTACT	Stainless	PLATING SILVER 10U"	1	SUS	
4	TERMINAL	Copper alloy	PLATING SILVER 12U"	2	Brass	
3	HOLDER	PC	/	1	Gray	
2	KEYSTROKE	POM	/	1	White	
1	HOUSING	PBT	/	1	Black	
NO.	NAME	MATERIAL	STANDARD	Plated	Q'TY	NOTE
GENERAL TOLERANCES (UNLESS SPECIFIED)		SCALE: 1:1	NUMBER:			
MM	DESIGN BY DATE	李五德	2016.09.28			
X	DRAWN BY DATE	李五德	2016.09.28			
.XX	CHECKED BY DATE					
.XXX	ANGULAR ±3°					
PART WHERE APPLICABLE MUST REMAIN WITHIN DIMENSIONS		APPROVED BY DATE	PART NO.	DWG NO.	SHEET NO.	
			SWO2A-819MKG-T-HF-X-W	SW-819-0	1/1	A4
		THIRD ANGLE: PROJECTION	REVISE ON CAD ONLY			
<p>NAME: 2P 180度白光LED带外壳开关</p> <p>SHENZHEN HANYUNTONG TECHNOLOGY LIMITED</p> <p>深圳市瀚云通科技有限公司</p>						

THIS DRAWING CONTAINS INFORMATION THAT IS PROPRIETARY TO HANYUN INCORPORATED AND SHOULD NOT BE USED WITHOUT WRITTEN PERMISSION