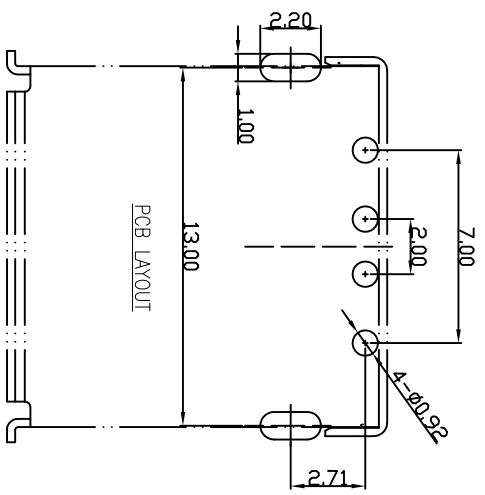
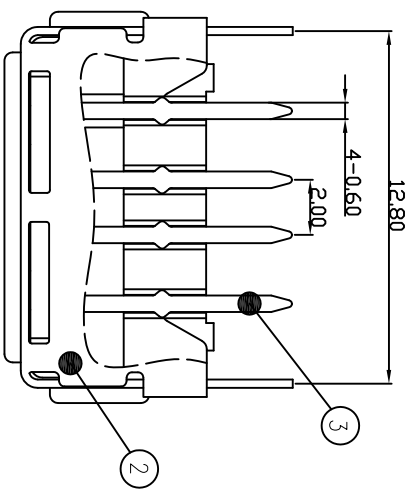
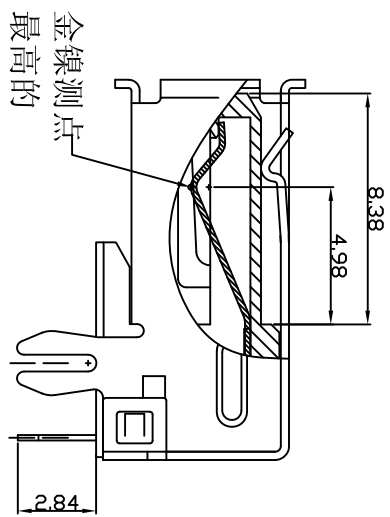
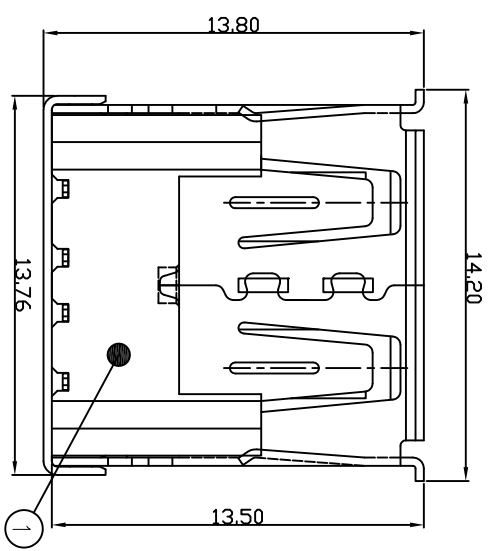
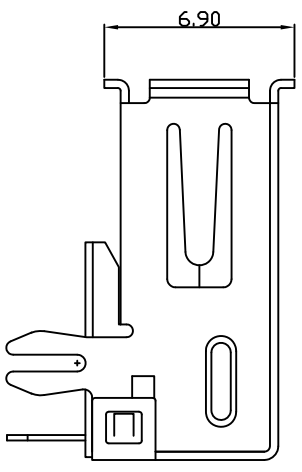
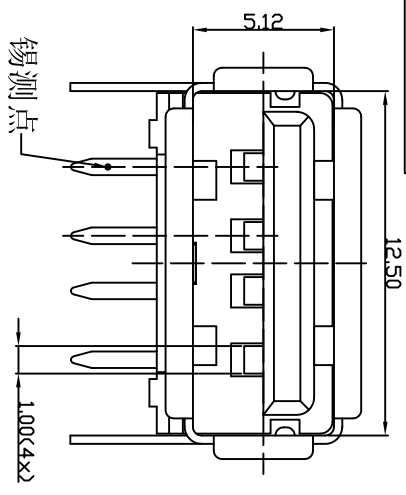


ROHS compliant



| REV | DESCRIPTION | ECN NO. | DATE |
|-----|-------------|---------|------------|
| AA | 原始图档 | | 2017.02.28 |

Ordering Information:

UB04B-082 A K B Z - I - RS
 Housing Material: A:LOP
 Housing Color: K:BLACK
 ...
 PLATING TYPE
 B:GOLD/TIN
 ...
 PLATING THICKNESS
 5-15/100"
 6-30/100"
 7:Gold Flush
 ...
 Packing:
 T:Troy
 ...
 HF:No Halogen
 RS:ROHS

| NO. | NAME | MATERIAL | QTY | STANDARD | NOTE |
|-----|-------------|-----------------|-----|----------|--|
| 3 | USB CONTACT | PHOSPHOR BRONZE | 4 | | Underplate:Min:30u", Mating area:Min:Au Gold Finish Solder tabs:Min:80u" bright tin |
| 2 | USB SHIELD | BRASS | 1 | | Min. Ni:30u" |
| 1 | USB HOUSING | LCP GF30% | 1 | UL94V-0 | BLACK |

| GENERAL TOLERANCES (UNLESS SPECIFIED) | | SCALE: | NUMBER: |
|---------------------------------------|--|--------|---------|
| MM | | 1:1 | |

| DESIGN BY | DATE | NAME: |
|-----------|------------|--|
| 张健 | 2017.02.28 | 瀚云电子科技(香港)有限公司 |
| 张健 | 2017.02.28 | HAN YUN ELECTRONICS TECHNOLOGY (HONG KONG) LIMITED |

| DESIGN BY | DATE | NAME: |
|-----------|------------|--|
| 张健 | 2017.02.28 | 瀚云电子科技(香港)有限公司 |
| 张健 | 2017.02.28 | HAN YUN ELECTRONICS TECHNOLOGY (HONG KONG) LIMITED |

1 2 3 4 5 6 7 8

F E D C B A

| PART NO. | DWG NO. | SHEET NO. |
|--------------------|---------|-----------|
| UB04B-082AKB6-T-RS | Up-082 | 1/1 |

THIS DRAWING CONTAINS INFORMATION THAT IS PROPRIETARY TO CYBERAPEX AND SHOULD NOT BE USED WITHOUT WRITTEN PERMISSION