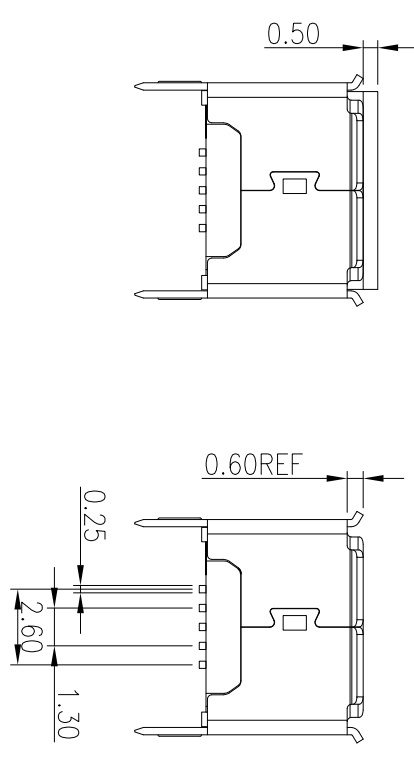
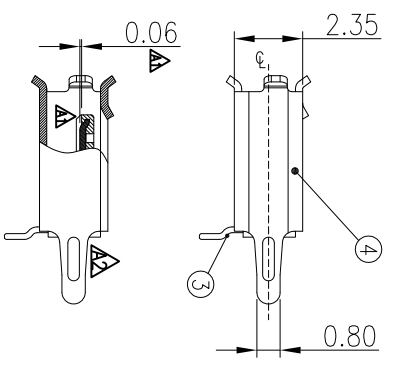
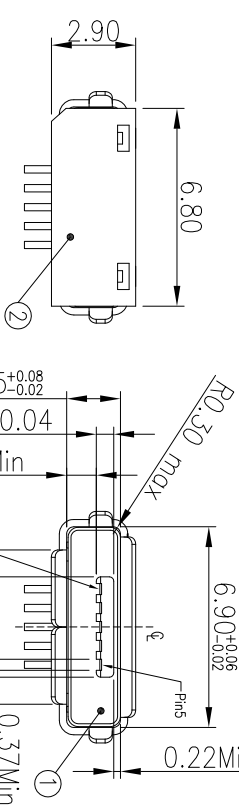


COMPONENT SIDETOLERANCE:±0.05  
PCB LAYOUT

REV	DESCRIPTION	ECN NO.	DATE
AA	原始图档		2013.07.08
AA	端子头部封装结构变更		2014.08.26
AA	改善铁壳脚断裂		2014.09.13



- 1.MECHANICAL:  
 INSERTION FORCE:35N MAX.  
 REMOVAL FORCE:8N Min.  
 DURABILITY: 10000 CYCLES
- 2.ELECTRICAL:  
 CURRENT RATING:1.0A SIGNAL (PINS 2,3,4)  
 1.8A POWER (PINS 1,5)  
 VOLTAGE RATING:30V  
 CONTACT RESISTANCE:INITIALLY 30m ohms MAX,  
 INSULATION RESISTANCE:1000M ohms MIN
- 3.TEMPERATURE:  
 OPERATING TEMPERATURE: -20°C~85°C
- 4.THIS PART CAN MEET USB COMPLIANT, WITH STANDARD REFERENCE.

3	SHELL	STAINLESS STEEL	1	Min. N: 20U"	SUS304 T=0.25
2	CONTACT	BRASS	5	Underplate:Min.Ni 50u" Mating areachin:80Au	GS191 T=0.20
2	COVER	LCP GF30%	1	Solder: Tdils:100u" TIN	BLACK
1	HOUSING	LCP GF30%	1	UL94V-0	BLACK
NO.	NAME	MATERIAL	Q'TY	STANDARD	Plated
GENERAL TOLERANCES (UNLESS SPECIFIED)		SCALE:	NUMBER:		
MM		1:1			
X	±0.35	DESIGN BY:	DATE:		
XX	±0.25	DRAWN BY:	DATE:		
XXX	±0.13	CHECKED BY:	DATE:		
ANGULAR ±3°		APPROVED BY:	DATE:		
DRAFT WHERE APPLICABLE MUST REMAIN WITHIN DIMENSIONS		PART NO.	URB05C-103AKH-R	DWG NO.	UR-0103-0
		THIRD ANGLE PROJECTION	REVERSE ON CAD ONLY	SHEET NO.	1/1
		NAME: MICRO USB AB TYPE (Vertical SMT)			
		 HANYUN ELECTRONICS TECHNOLOGY(HONG KONG)LIMITED 深圳市瀚云通科技有限公司			
		THIS DRAWING CONTAINS INFORMATION THAT IS PROPRIETARY TO CYBERAPEX INCORPORATED AND SHOULD NOT BE USED WITHOUT WRITTEN PERMISSION			
		A4			